

## Workholding Closed Center Rotating Hydraulic Cylinder

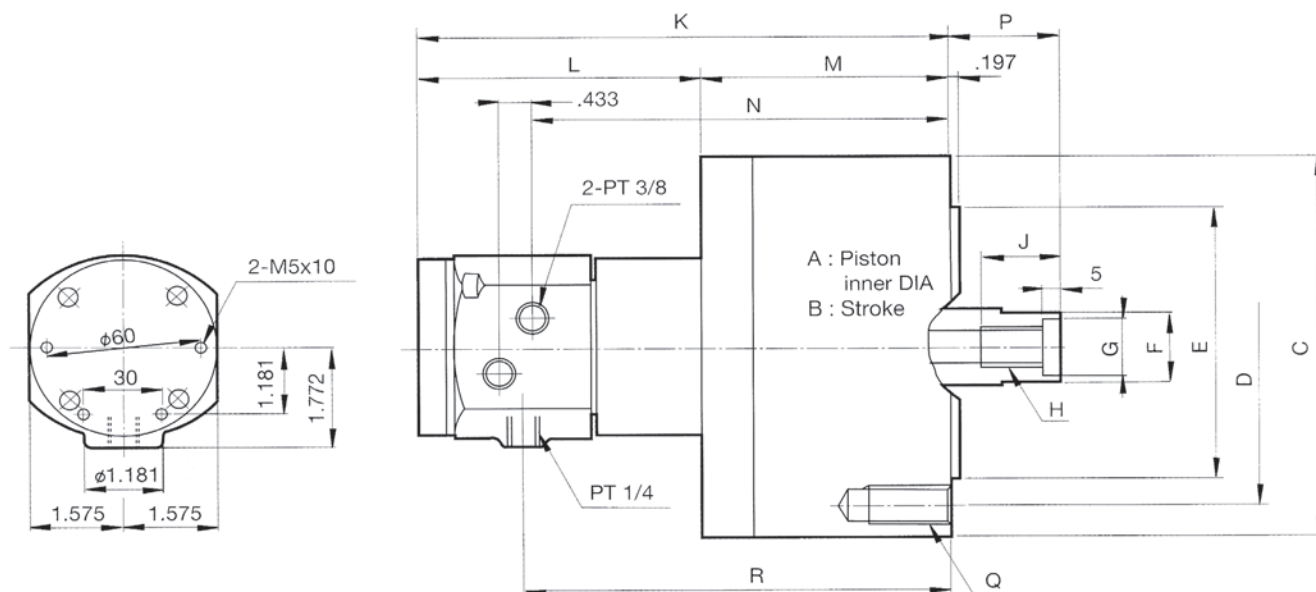
RCV With Safety Device/Optional Stroke Sensing

- High speed closed center hydraulic cylinder
- This can be installed in both horizontal and vertical applications
- Equipped with safety check valves, preventing loss of grip if power supply is interrupted
- Available with stroke sensing

Model No. *	Piston Area (Sq. in.)		Piston Stroke	Max Speed RPM	Draw Bar Pull lb/f	Max Pressure PSI	Drain gal/min	Wt lbs	Price
	Push	Pull							
10-766-0750Z	6.83	5.73	.591	6000	3,325	580	.2	9	1,050
10-766-1000Z	13.33	12.24	.787	6000	7,100	580	.2	16	1,250
10-766-1250Z	18.91	17.52	.984	6000	10,160	580	.2	22	1,500
10-766-1500Z	27.28	24.80	1.181	5500	14,385	580	.2	30	1,750
10-766-2000Z	48.67	44.95	1.378	5500	26,100	580	.2	49	2,980
10-766-2500Z	67.30	70.80	2.360	2000	63,720	900	.2	193	8,450

\* For stroke sensing, add RE to the end of the part number (Example: 10-766-0750ZRE)

## Dimensional Data



Model No.	A	B	C	D	E	F	G	H	J	K	L	M	N	P		Q	R
														Max	Min		
0750Z	2.953	.591	4.094	3.543	2.559	1.181	.827	M20x2.5	1.378	6.772	4.173	2.598	5.000	1.811	1.220	6-M6x20	5.236
1000Z	4.134	.787	5.345	3.937	3.150	1.181	.827	M20x2.5	1.378	7.756	4.252	3.504	5.984	1.772	.984	6-M10x20	6.220
1250Z	4.921	.984	6.299	5.118	4.331	1.378	.984	M24x3.0	1.732	8.071	4.252	3.819	6.299	2.008	1.024	6-M12x24	6.535
1500Z	5.906	1.181	7.480	5.118	4.331	1.772	1.220	M30x3.5	1.772	8.425	4.252	4.173	6.654	2.005	1.024	6-M12x24	6.890
2000Z	7.874	1.378	9.646	5.709	4.724	2.165	1.457	M36x4.0	2.362	8.976	4.173	4.803	2.205	2.717	1.339	12-M16x30	7.441
2500Z	9.842	1.968	11.810	10.827	6.298	2.559	1.732	M42x3.0P	2.165	12.400	4.921	7.283	9.720	2.953	.590	6-M16x190	10.000