

Series 10-061 & 10-063

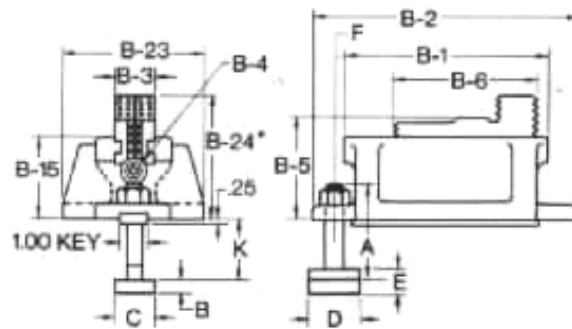
Cushman[®] Face Plate Jaws

Steel Body Face Plate Jaws

Manual

Special Features:

- Steel Body
- For Tables w/ Single Radial Slot
- Solid Reversible Jaws
- Size 4" thru 12"
- Set of 4 pieces



Series 10-061 & 10-063

T-Bolt Dimensional Table

Jaw Size	Jaw Model No.	A	B	C	D	E	F	STD. K. MIN.*
4" thru 8"	10-06**-*000	3.00	.53	1.31	1.75	.97	3/4-10	1.437-.750
10"	10-063-10-000	3.50	.75	1.75	2.00	1.25	7/8-9	1.525-.750
12"	10-063-12-000	3.50	.75	1.75	2.00	1.25	7/8-9	1.400-.750

*K Dim.-Std.-May be altered by customer to Min. shown.

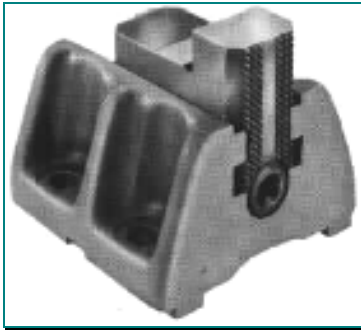
NOTE: Not to be used for design purposes unless approved by the factory.

Jaw Specifications & Dimensions

Jaw Size	Jaw Model No.	Est. Gross Weight (lbs)	B-1	B-2	B-3	B-4	B-5*	B-6	B-15	B-23	B-24	Price (US\$) Set of 4pcs
4"	10-061-04-000	80	4.25	5.88	1.69	1.17	4.38	5.00	3.75	4.50	5.25	- call -
6"	10-063-06-000D	110	6.25	8.50	1.69	1.17	4.38	5.00	3.75	5.00	5.25	\$8,000
8"	10-063-08-000D	160	8.25	10.50	1.69	1.17	4.38	5.00	3.75	5.50	5.25	\$8,800
10"	10-063-10-000	280	10.13	12.25	1.94	1.28	5.44	6.00	4.50	6.50	6.63	- call -
12"	10-063-12-000	310	12.13	14.25	1.94	1.28	6.56	6.00	4.63	6.75	7.75	- call -

*Will be uniform in sets within 0.003"

The operator must ensure that the jaw complies with all safety instructions before use.



Series 10-073

Cushman ©

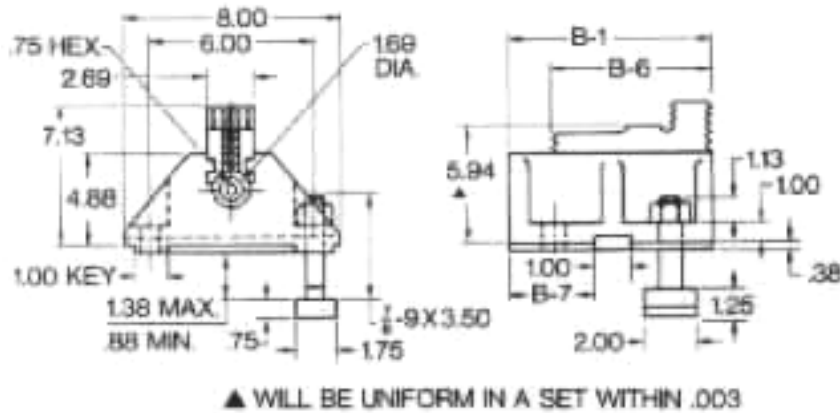
Boring Mill Jaws

Steel Body Boring Mill Jaws

Manual

Special Features:

- Steel Body
- For Tables w/ Double Parallel Slots
- Solid Reversible Jaws
- Sizes 8" through 14"
- Set of 4 pieces

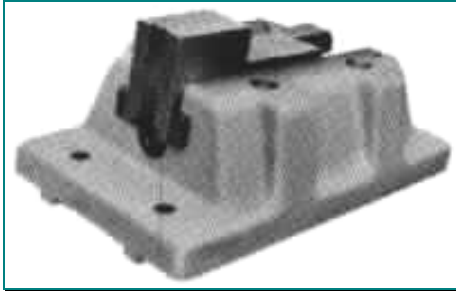


Series 10-073

Jaw Specifications & Dimensions

Jaw Size	Jaw Model No.	Est. Gross Weight (lbs)	B-1	B-6	B-7	Price (US\$) Set of 4pcs
8"	10-073-08-000B	260	8.00	6.00	3.50	\$8,250
10"	10-073-10-000B	320	10.00	6.00	3.00	\$9,500
12"	10-073-12-000B	360	12.00	8.00	3.50	\$10,500
14"	10-073-14-000B	420	14.00	8.00	4.50	\$12,500

NOTE: Not to be used for design purposes unless approved by the factory.
The operator must ensure that the jaw complies with all safety instructions before use.



Series **10-076**

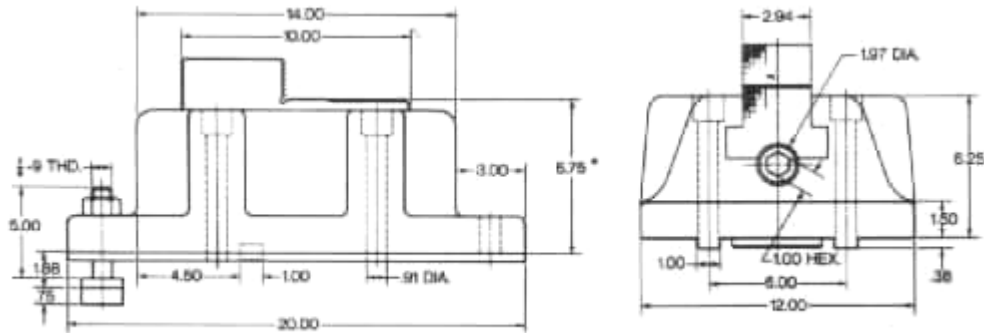
Cushman ©
Boring Mill Jaws

Steel Body Heavy Duty Boring Mill Jaws

Manual

Special Features:

- Heavy Duty – Steel Body
- For Tables w/ Double Parallel Slots
- Solid Reversible Jaws
- Size 14"
- Set of 4 pieces



*Will be uniform in sets within .003.

Series **10-076**

Jaw Specifications & Dimensions

Jaw Size	Jaw Model No.	Est. Gross Weight (lbs)
14"	10-076-14-000	1250

NOTE: Not to be used for design purposes unless approved by the factory.
The operator must ensure that the jaw complies with all safety instructions before use.