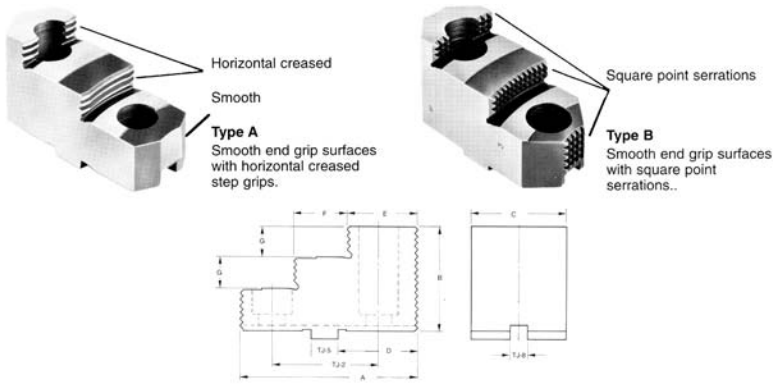


Hard Step Top Jaws

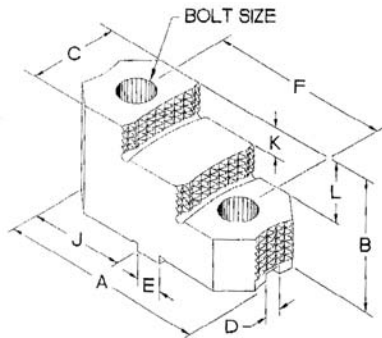


- Furnished for American Standard tongue and groove configuration
- Hard step top jaws can be quickly reversed for internal or external chucking
- Easily removed for applications requiring soft blank or formed top jaws
- Square point serrations, smooth, and horizontal creased jaw gripping surfaces available in combinations as shown below
- All jaws listed apply to manual chucks in this catalog
- All jaws listed will fit comparable chucks with American Standard jaw configuration
- All jaws made of high alloy steels

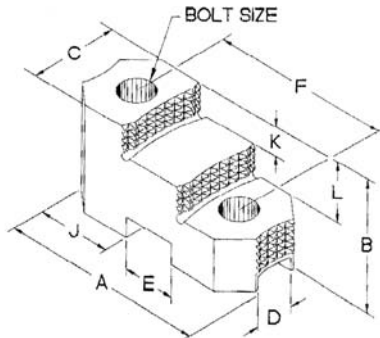
Medium Duty 3-Jaw Universal Scroll Chucks Series 102-104-162-164

JAW NUMBER	CHUCK SIZE	JAW TYPE	A	B	C	D	E	F	G	TJ-2	TJ-5	TJ-8	BOLT SIZE	BOLT LENGTH	PRICE (SET OF 3)
03232927-F0	6"	A	2.68	1.47	1.18	1.13	.62	1.00	.38	1.50	.499	.313	3/8-16	3/4" & 1"	400.00
03232771-F0	8"	A	3.12	1.50	1.18	1.37	.75	1.18	.38	1.75	.499	.313	3/8-16	3/4" & 1-1/4"	450.00
03232799-F0	10"	A	3.75	1.81	1.44	1.56	.87	1.44	.50	2.12	.749	.502	1/2-13	1" & 1-1/2"	500.00
03232953-F0	12"	A	4.25	1.94	1.69	1.87	1.00	1.66	.56	2.50	.749	.502	1/2-13	1" & 1-1/2"	720.00
03001728-F3	15"	B	5.00	2.06	1.69	2.25	1.00	1.87	.56	3.00	.749	.502	5/8-11	1-1/4" & 1-3/4"	795.00
03001736-F3	18"-36"	B	5.00	2.62	.194	2.25	2.00	1.50	.69	3.00	.749	.502	3/4-10	1-3/4" & 3"	900.00

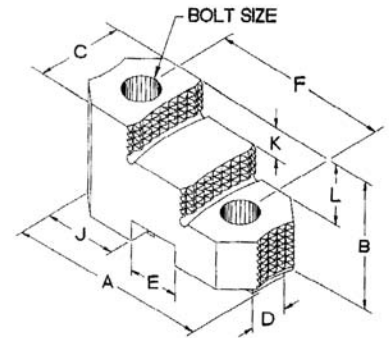
Custom Hard Jaws



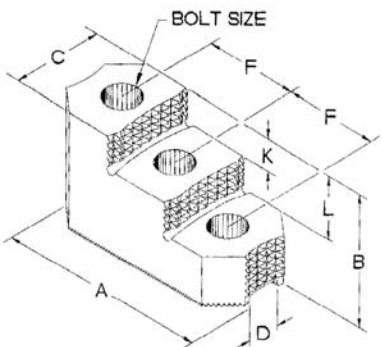
Tongue & Groove



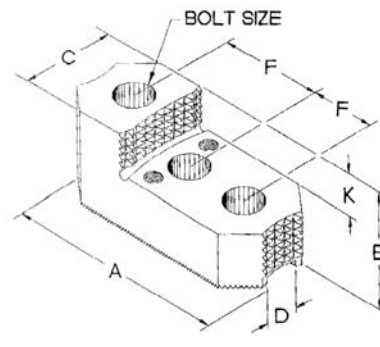
Square Serrated



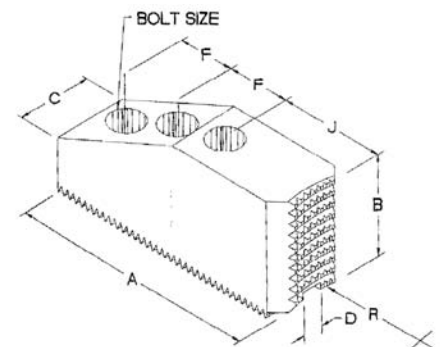
Acme Serrated



Double Step Serrated



Single Step Serrated



Extended Serrated

Quantity:			Approved By:					Date:		
A	B	C	D	E	F	J	K	L	Bolt Size	Serration